

## REMOTE CONTROLLER WITH SEVEN FUNCTIONS

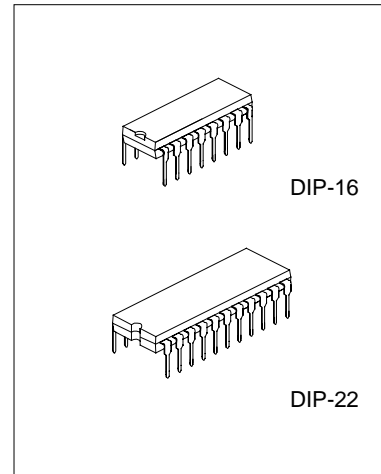
### DESCRIPTION

The TX-5B/RX-5B are a pair of CMOS LSIs designed for remote controlled car applications. They have nine control keys controlling the motions (i.e. forward, backward, rightward, leftward, trigger 1-- trigger 4 functions and the turbo function) of the remote controlled car.

The TX-5B is housed in DIP-16 package, and the RX-5B is housed in DIP-22 package.

### FEATURES

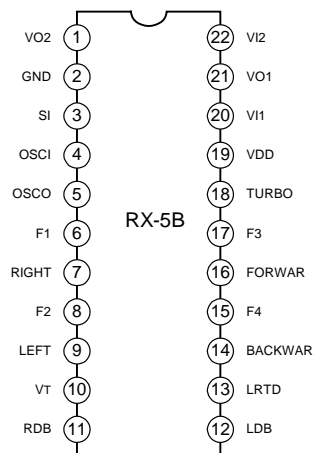
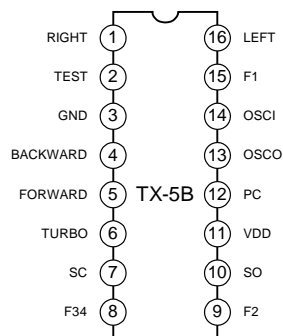
- \* Wide operating voltage range  
TX-5B: (VDD=2.2~12.0V)  
RX-5B: (VDD=3.0~12.0V)
- \* Very Low stand-by current for TX-5B
- \* Auto-power-off function for TX-5B
- \* Few external components are needed
- \* Built-in 3.6V zener for RX-5B
- \* 9 functions remote controller controlling: forward,backward, right, left, turbo, trigger 1-- trigger 4 functions



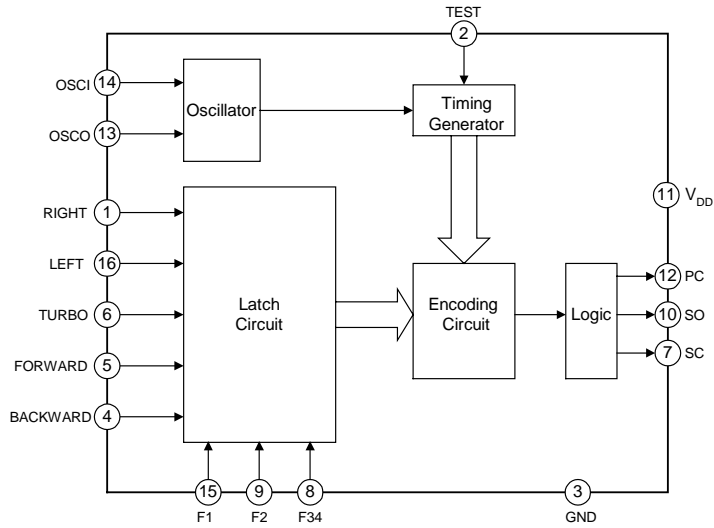
### ORDERING INFORMATION

Part No.	Package
TX-5B/RX-5B	DIP-16-300-2.54
	DIP-22-400-2.54

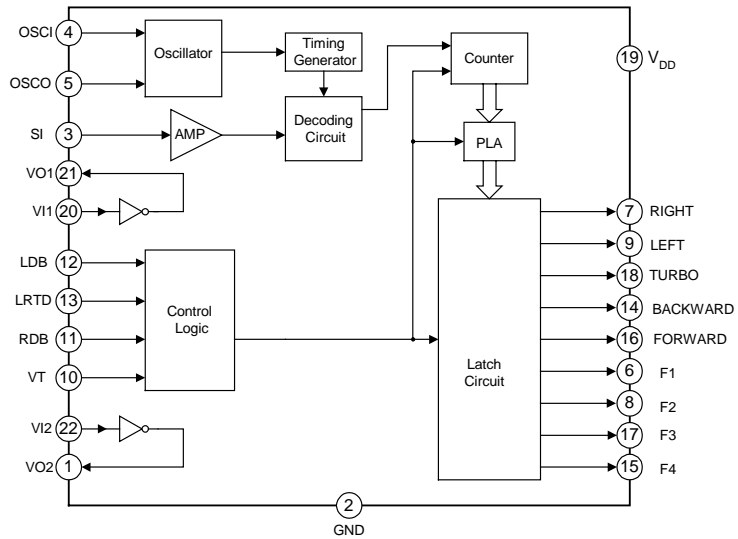
### PIN CONFIGURATION



**BLOCK DIAGRAM**



TX-5B Block Diagram



RX-5B Block Diagram

## ABSOLUTE MAXIMUM RATINGS

Characteristic	Symbol	Value	Unit
DC Supply Voltage	V <sub>DD</sub>	0.3 ~ 5.0	V
Input/Output Voltage	V <sub>IN</sub> , V <sub>OUT</sub>	GND-0.2V ~ V <sub>DD</sub> +0.2V	V
Operating Temperature	T <sub>opr</sub>	-10 ~ +60	°C
Storage Temperature	T <sub>stg</sub>	-25~+125	°C

### COMMENT

Never allow a stress to exceed the values listed under "Absolute Maximum Ratings", otherwise the device would suffer from a permanent damage. Nor is a stress at the listed value be allowed to persist over a period, since an extended exposure to the absolute maximum rating condition may also affect the reliability of the device, if not causing a damage thereof.

## ELECTRICAL CHARACTERISTICS

### TX-5B

(V<sub>DD</sub>=9V, F<sub>osc</sub>=128KHz, T<sub>amb</sub>=25°C, unless otherwise specified.)

Parameter	Symbol	Min	Typ	Max	Unit
Operating Voltage	V <sub>DD</sub>	2.2	9.0	12.0	V
Operating Current	I <sub>DD</sub>	--	--	1.5	mA
Stand-By Current	I <sub>STB</sub>	--	1.0	1000	μA
DC O/P Driving Current(RF)	I <sub>drive</sub>	--	10.0	--	mA
AC O/P Driving Current(IR)	I <sub>drive</sub>	--	6.0	--	mA
AC O/P Frequency	F <sub>audio</sub>	--	500	--	Hz

### RX-5B

(V<sub>DD</sub>=9V, F<sub>osc</sub>=128KHz, T<sub>amb</sub>=25°C, unless otherwise specified.)

Parameter	Symbol	Min	Typ	Max	Unit
Operating Voltage	V <sub>DD</sub>	3.0	9.0	12.0	V
Operating Current	I <sub>DD</sub>	--	30.0	--	mA
O/P Driving Current	I <sub>drive</sub>	5.0	--	--	mA
O/P Driving Current(F1, F2)	I <sub>df</sub>	5.0	--	--	mA
Effect Decoding Frequency Variation	F <sub>tolerance</sub>	-50%	--	50%	--

## PIN DESCRIPTION

### TX-5B

Pin No.	Symbol	Description
1	RIGHT	The rightward function will be selected when this pin is connected to GND
2	TEST	This pin is used for testing mode
3	GND	Negative power supply

(To be continued)

— HANGZHOU SILAN MICROELECTRONICS JOINT-STOCK CO.,LTD —

Rev: 2.0 2002.03.26

(Continued)

Pin No.	Symbol	Description
4	BACKWARD	The backward function will be selected when this pin is connected to GND
5	FORWARD	The forward function will be selected when this pin is connected to GND
6	TURBO	The turbo function will be selected, if this pin is connected to GND
7	SC	Output pin of the encoding signal with carrier frequency
8	F34	F3 and F4 function select (sequential trigger)
9	F2	F2 function select
10	SO	Output pin of the encoding signal without carrier frequency
11	VDD	Positive power supply
12	PC	Power control output pin
13	OSCO	Oscillator output pin
14	OSCI	Oscillator input pin
15	F1	F1 function select
16	LEFT	The leftward function will be selected when this pin is connected to GND

**RX-5B**

Pin No.	Symbol	Description
1	VO2	Inverter 2 output pin for signal amplify
2	GND	Negative power supply
3	SI	Input pin of the encoding signal
4	OSCI	Oscillator input pin
5	OSCO	Oscillator output pin
6,8,17,15	F1, F2,F3,F4	F1,F2,F3,F4 function output pin
7	RIGHT	Rightward output pin
9	LEFT	Leftward output pin
10	VT	Auto Shut-OFF input pin. If VT voltage exceeds 1.4V, all outputs shut off automatically.
11	RDB	Right disable pin.
12	LDB	Left disable pin.
13	LRTD	Left/right turbo disable pin
14	BACKWARD	Backward output pin
16	FORWARD	Forward output pin
18	TURBO	TURBO output pin
19	VDD	Positive power supply
20	VI1	Inverter 1 input pin for signal amplify
21	VO1	Inverter 1 output pin for signal amplify
22	VI2	Inverter 2 input pin for signal amplify

## FUNCTION DESCRIPTION

The TX-5B/RX-5B are a pair of CMOS LSIs designed for remote controlled car applications. The TX-5B/RX-5B have nine control keys controlling the motions (i.e. forward, backward, rightward, leftward, and trigger1--trigger4 functions and the turbo function) of the remote controlled car.

### 1. OVER-CURRENT PROTECTION

An Auto Shut-Off mechanism is built-in according to Toy Safety Requirement and effective during over-current situation in motor driver. The active high input applying to this Auto Shut-Off pin will turn off the motor. (VT pin, when unused, has to be connected to ground. The transfer point=1.4V)

### 2. DATA FORMAT



### 3. CODING METHOD

3.1 when a trigger pin is triggered, its data code will correspond to the data format of "F1", while the remaining pins will have the data format of "F0".

3.2. Data string: start code + data code +parity code + end code

start code = F1 F1 F1 F1 F0

data code =

F	B	T	R	L	F1	F3	F4	F2
---	---	---	---	---	----	----	----	----

F = Forward

B = Backward

T = Turbo

R = Right

L = Left

F1 = Function1

F2 = Function2

F3 = Function3

F4 = Function4

parity code = for parity check

end code = for (latch data)

\* Data code can be any combination of F,B,T,R,L,F1,F2,F3,F4 except for F&B, R&L, F3&F4.

## OUTPUT TABLES

Function	Output Status								
	F	B	T	R	L	F1	F2	F3	F4
FORWARD	H								
LEFT+FORWARD	H				H				
RIGHT+FORWARD	H			H					
TURBO			H						
TURBO+FORWARD	H		H						
TURBO+LEFT+ FORWARD	H		H		H				
TURBO+RIGHT+FORWARD	H		H	H					

(To be continued)

(Continued)

Function	Output Status								
	F	B	T	R	L	F1	F2	F3	F4
BACKWARD		H			H				
BACKWARD+RIGHT		H		H					
BACKWARD+LEFT		H							
TURBO+BACKWARD		H	H		H				
TRUBO+BACKWARD+RIGHT		H	H	H					
TURBO+BACKWARD +LEFT		H	H						
LEFT					H				
RIGHT				H					
FUNCTION1						H			
FORWARD+FUNCTION1	H					H			
FORWARD+TURBO+FUNC1	H		H			H			
TURBO+FUNC1			H			H			
BACKWARD+FUNC1		H				H			
BACKWARD+TURBO+FUNC1		H	H			H			
LEFT+FORWARD+FUNC1	H				H	H			
RIGHT+FORWARD+FUNC1	H			H		H			
LEFT+ BACKWARD +FUNC1		H			H	H			
RIGHT+ BACKWARD +FUNC1		H		H		H			
LEFT+FUNCTION1					H	H			
RIGHT+FUNCTION1				H		H			

Note: (1) In the table, blank=F0. Rows from "FUNCTION1" to "RIGHT+FUNCTION1" (the last row) are similar for FUNCTION2, FUNCTION2, FUNCTION2. Thus, we can see from the table that we have more than 50 states of function combinations from 8 control keys.

(2) H = high level.

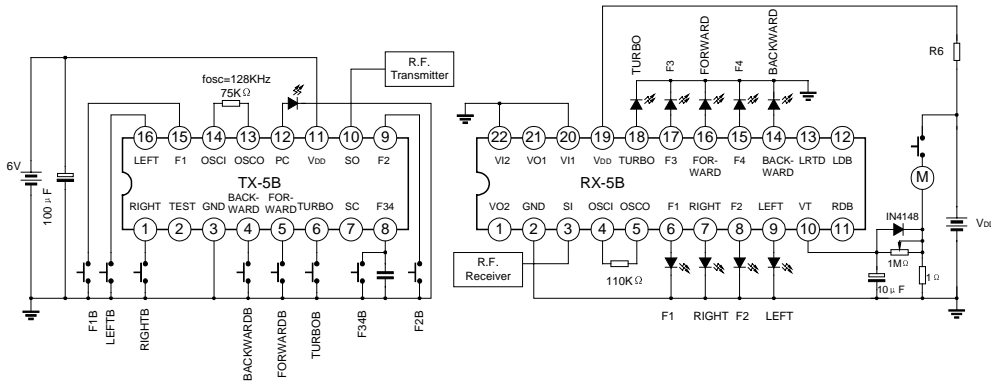
(3) LRTD pin functions as an option pin for LEFT/RIGHT turbo disable. Please refer to the following table.

"LRTD"	Key Selected	Output Function
HIGH (OPEN)	FORWARD+LEFT (RIGHT)+ TURBO	FORWARD+LEFT (RIGHT)+ TURBO
LOW	FORWARD+LEFT (RIGHT)+ TURBO	FORWARD+LEFT (RIGHT)

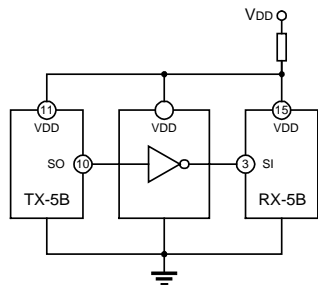
**TESTING CIRCUIT** (Fosc for RX-5B ≈128KHz, Fosc for TX-5B ≈128KHz)

—— **HANGZHOU SILAN MICROELECTRONICS JOINT-STOCK CO.,LTD** ——

Rev: 2.0 2002.03.26

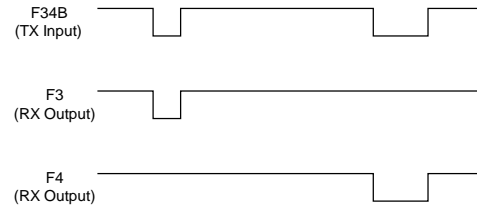


TX-5B output pin (SO) has an inverted phase with RX-5B input (SI). If TX-5B&RX-5B are connected without using a RF module, an inverter has to be inserted between these 2 pins, as shown below.



connect directly

TX-5B F34 is sequential trigger pin, it controls F3&F4 output at the receiver.



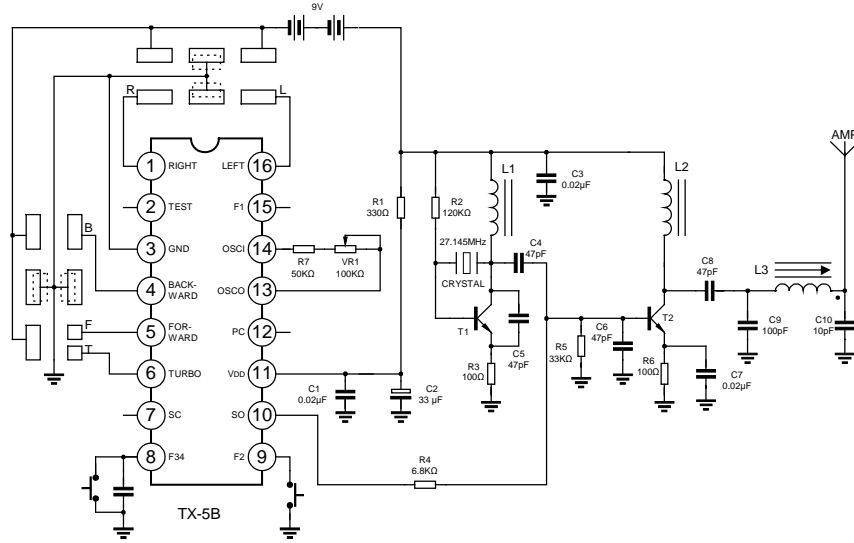
**RX-5B R6, INDEX**

VDD	R6
12	270Ω
9	180Ω
6	68Ω

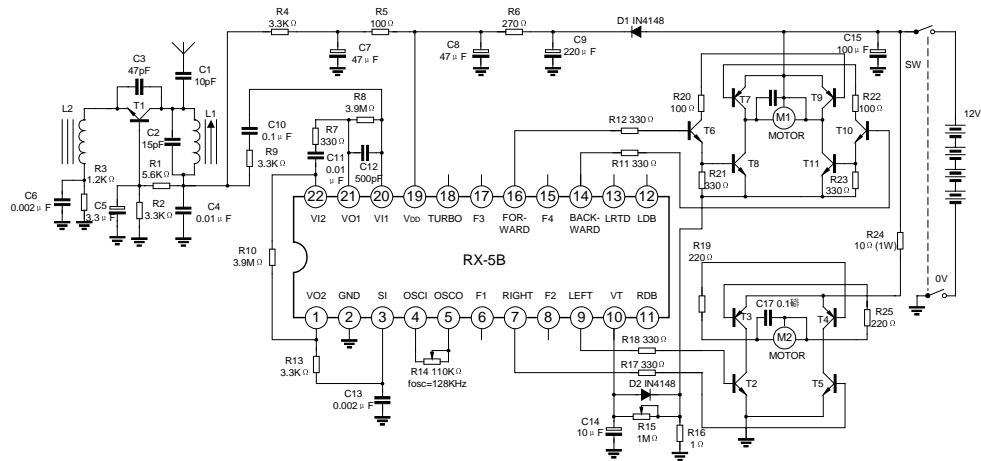
**TYPICAL APPLICATION CIRCUIT**

— HANGZHOU SILAN MICROELECTRONICS JOINT-STOCK CO.,LTD —

Transmitter (TX-5B Fosc=128KHz)



Receiver (RX-5B Fosc=128KHz)

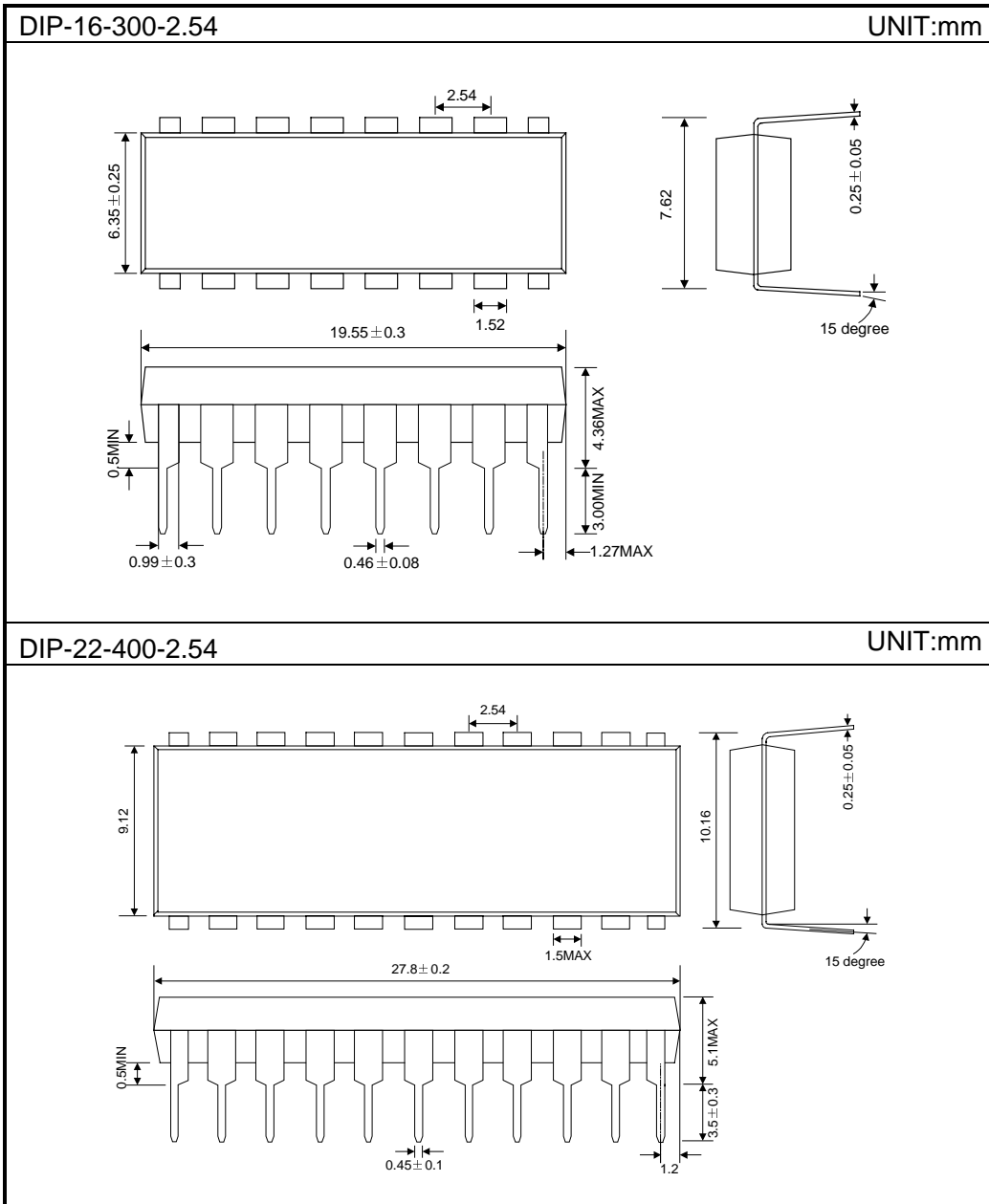


**PACKAGE OUTLINE**

— HANGZHOU SILAN MICROELECTRONICS JOINT-STOCK CO.,LTD —

Rev: 2.0 2002.03.26





**Attach**

**Revision History**

<b>Data</b>	<b>REV</b>	<b>Description</b>	<b>Page</b>
2000.12.31	1.0	Original	
2002.03.26	2.0	Add the "ORDERING INFORMATION "	1
		Delete the "1.TURBO FUNCTION "in the "FUNCTION DESCRIPTION"	5
		Modify the "OUTPUT TABLES"	5-6
		Modify the "TESTING CIRCUIT"	7
		Modify the "Receive (RX-5B Fosc $\approx$ 128KHz)" in the "TYPICAL APPLICATION CIRCUIT"	8
		Modify the "PACKAGE OUTLINE"	9